

venicia™ salon™ spa

from the historic, iconic city of canals comes the watery respite of a slower pace of life.



Sink in. Stay a while. Linger long and luxurious in the Venicia™ whirlpool bath cares float away so easily.

features:

- Multi-speed motor
- 4 fully adjustable PowerPro® jets
- 4 spinning neck jets
- 2 directionally adjustable AccuPro™ foot jets
- Sculpted armrest
- Contoured backrest
- Handrails (purchased separately)
- 900 watt variable speed heated air blower
- Bottom air channels for maximum massage
- 256 color Chromatherapy lighting system
- All-in-one electronic control panel
- Drain-assist purge system
- RapidHeat™ inline heater
- PrO₃™ Ozone Sanitation System standard

venicia™ salon™ spa

model number: **DY60**

exterior dimensions:

72" long x 42" wide x 26" high

interior dimensions:

45" long x 24" wide

of Jets/type of Jets:

4 PowerPro® Jets

4 AccuPro™ Rotating Neck Jets

2 AccuPro™ Foot Jets

operating gallons:

90 gallons

Detail: The Venicia™ Salon™ Spa features a comfortably contoured backrest that holds a symphony of Jacuzzi's exclusive PowerPro® massaging jets.
(Handrails are a required accessory and are not included.)





Venicia™ Salon™ Spa

Model: DY60

Ordering Information

Product Code:

DY60 Venicia™ Salon™ Spa
Right Hand

- Center Drain Location
- Accessories / Hardware:
 - Trim Kit: 4 HTA Jet Rings #M952
 - Rotary Drain Kit, 30" Cable #K606
 - Trim Kit: 2 BMH Jet Rings #J869
 - 2 X Trim Kit: 2 Neck Jet Rings #P556
 - Hand Rails (Must Buy) #G864
- Trim Kit Finishes Available:
 - (827) - Chrome
 - (898) - Brushed Chrome
 - (815) - Satin Nickel
 - (829) - Bright Brass
 - (805) - Platinum
 - (826) - Brushed Nickel
 - (849) - Oil Rubbed Bronze

Installation Notes

Refer to installation instructions included with fixture before beginning installation. Please confirm product availability and specifications before commencing with any installation work.

PRODUCT SPECIFICATIONS AND AVAILABILITY ARE SUBJECT TO CHANGE WITHOUT NOTICE.

Technical Specifications

Dimensions

72" L x 42" W x 26" H
(1829 mm) L x (1067 mm) W x (635 mm) H

Drain/Overflow

A: 20" (508 mm) B: 14" (356 mm)

Cutout

Template Provided Part Number #P187000

Total Weight

1230 lb (558 kg) / 59 lb/ft² (287 kg/m²)

Operating Gallonage

90 U.S. Gal. (341 Liters)

Product Weight

179 lb (81 kg)

Skirt Mounting

Not Available

Electrical Specifications

Requires a dedicated GFCI protected separate circuit.

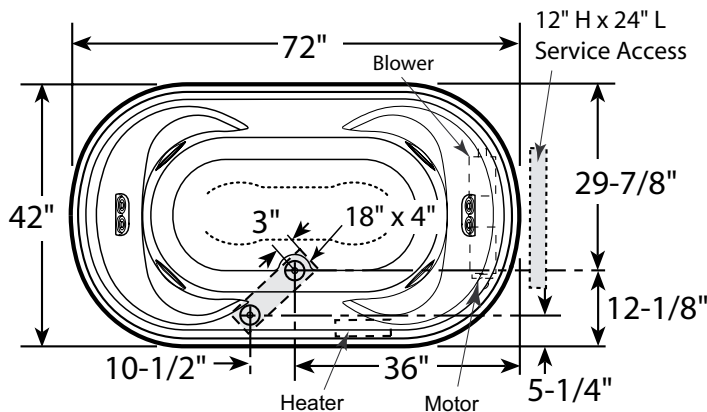
Blower: 120VAC, 20AMP, 60 Hz.

Motor/Pump and RapidHeat™: 240VAC, 20AMP, 60 Hz.

Heater (Standard)

Requires a dedicated GFCI protected separate circuit.

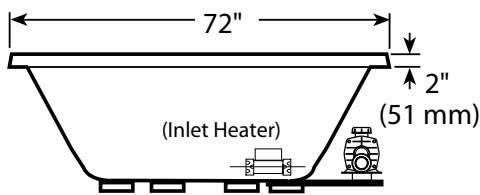
RapidHeat™: P/N BN60000



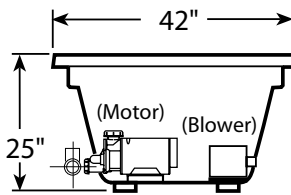
Product Shown: Venicia™ Salon™ Spa Right Hand Shown Model: DY60

* Measurements inside unit represent cutout in floor to allow for drain/overflow.

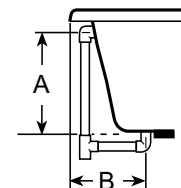
Minimum Service Access dimensions given.



SIDE VIEW



END VIEW



DRAIN/OVERFLOW